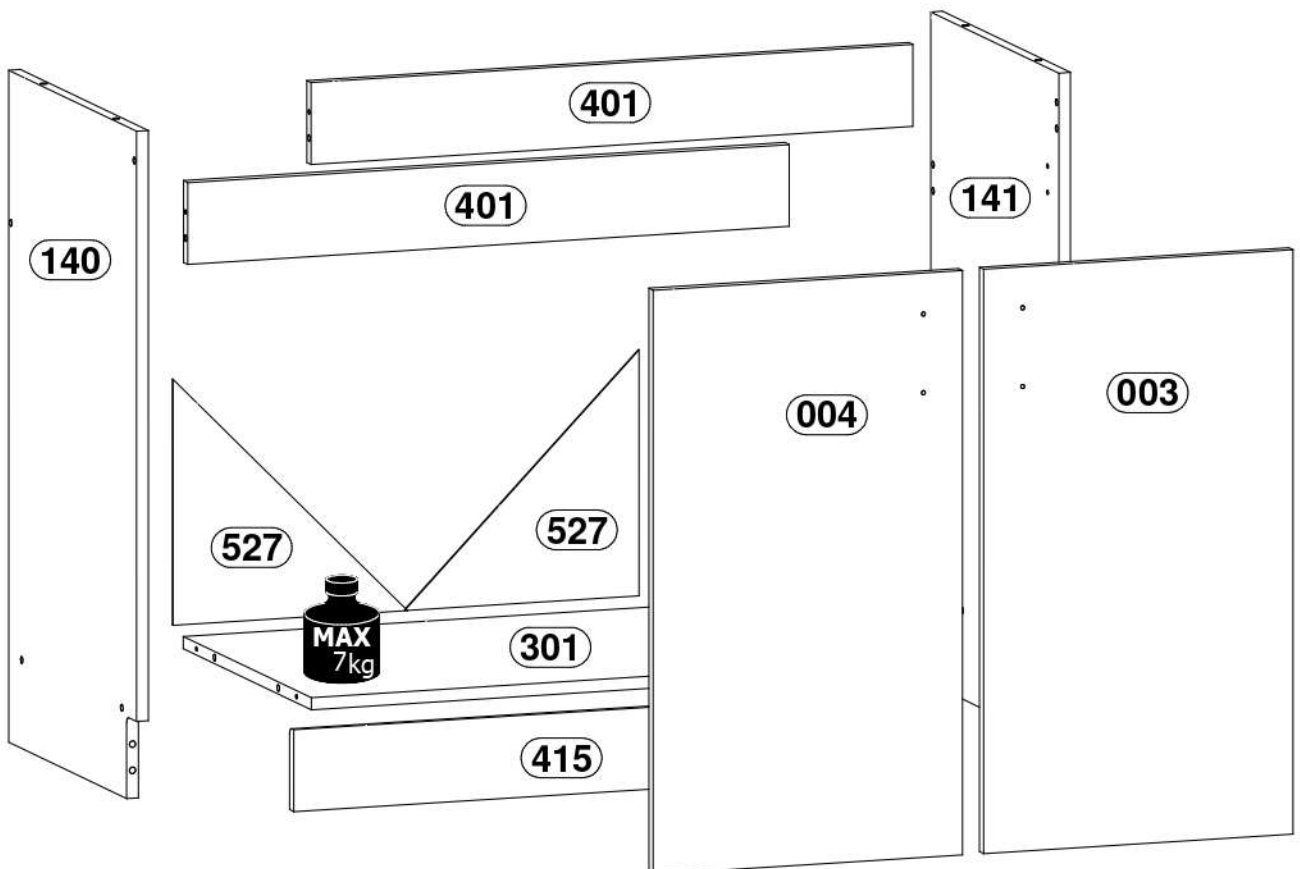
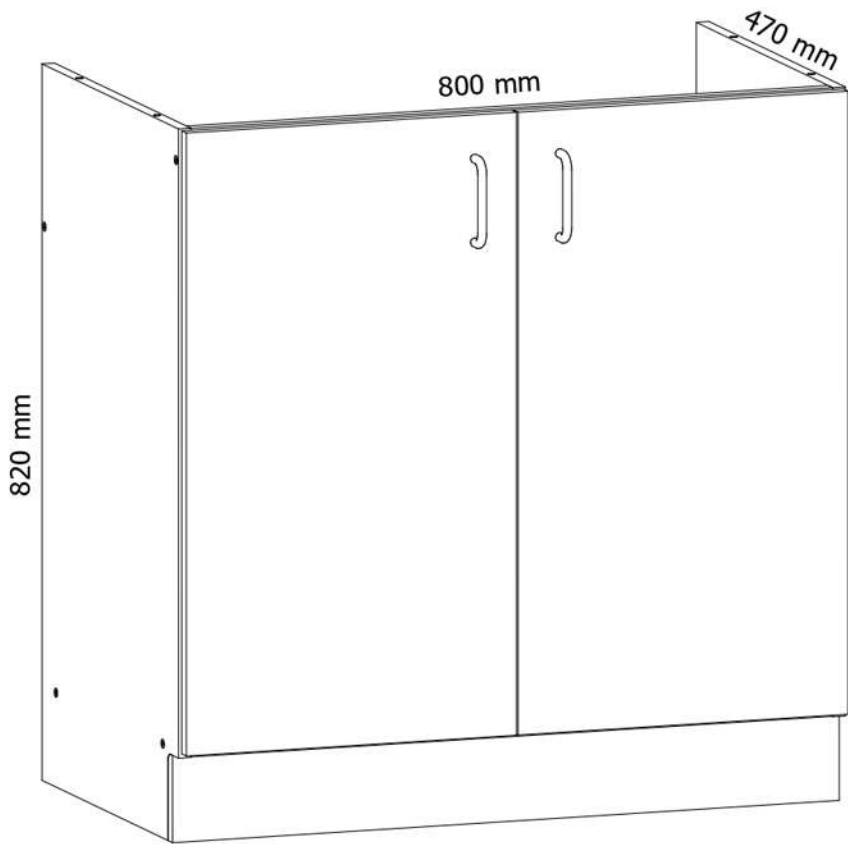
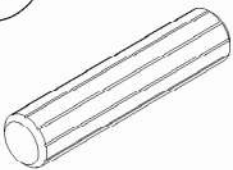
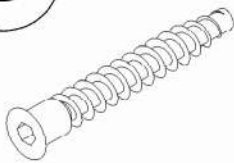
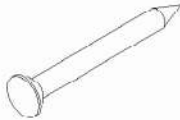
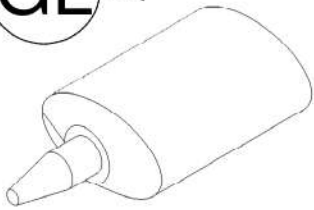

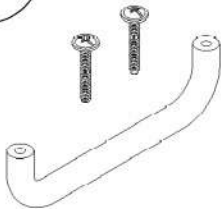


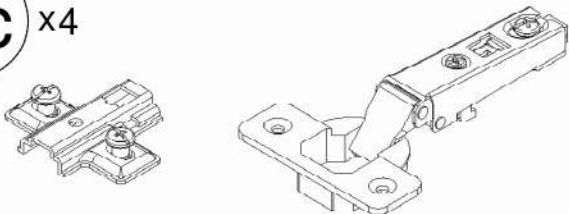
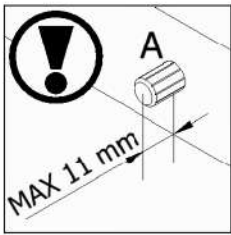
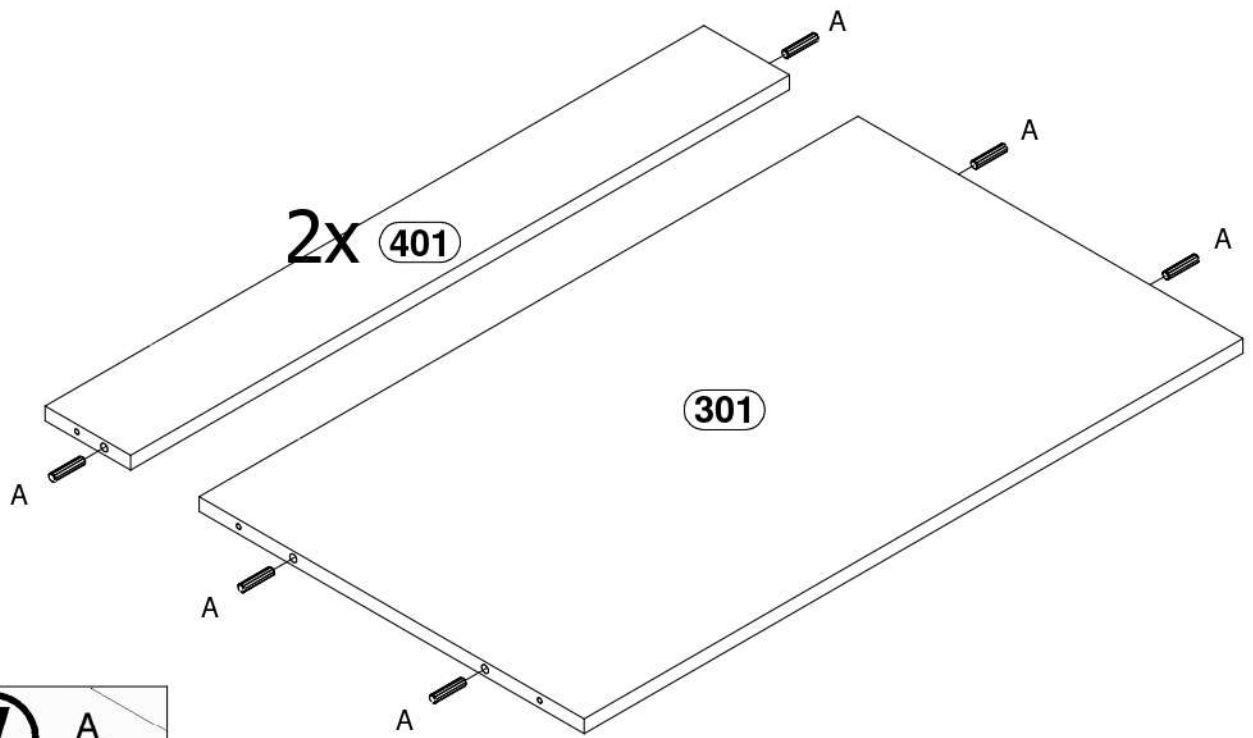


# K02-D80Z

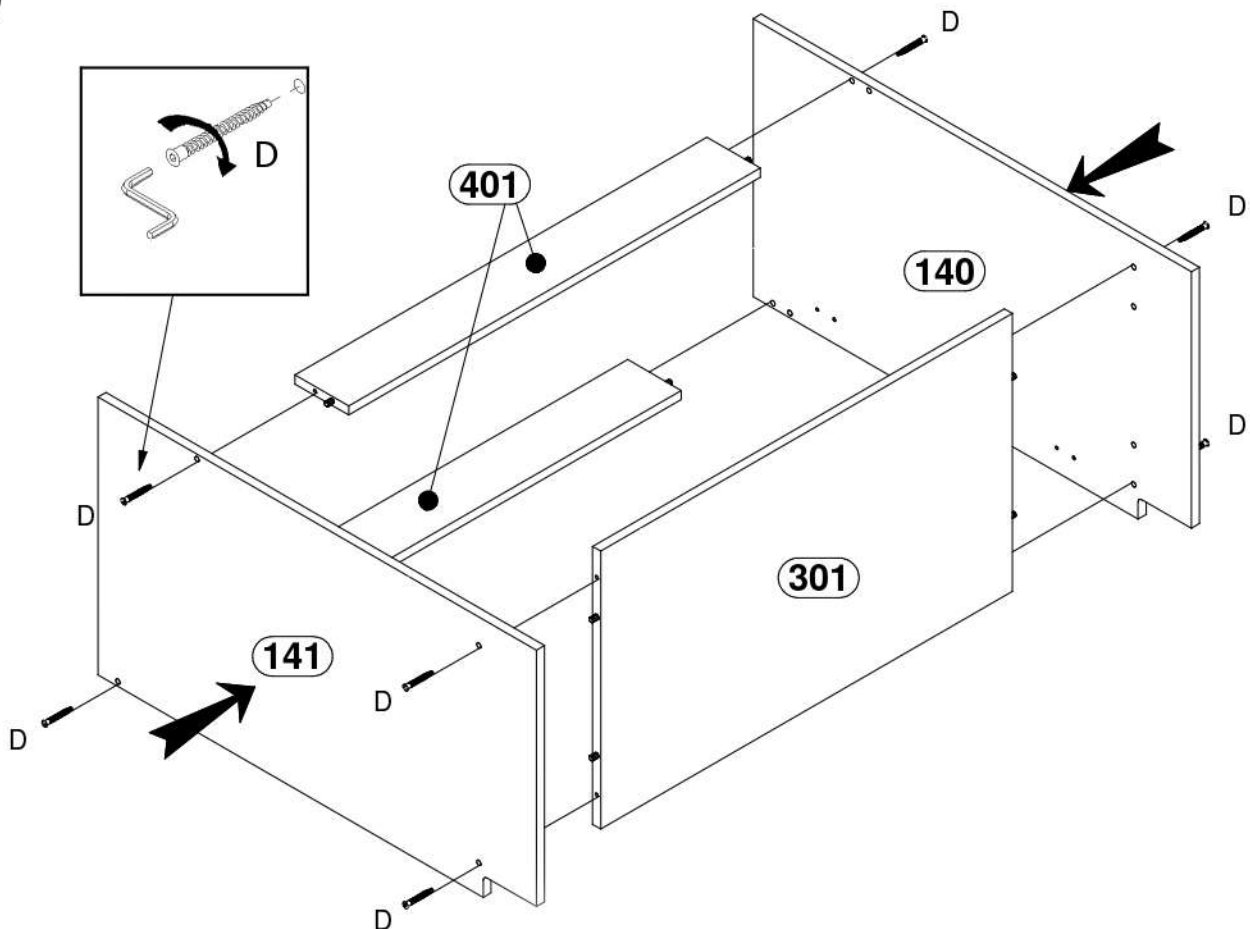


<p><b>A</b> x12</p>  <p>Ø8x35mm</p>	<p><b>D</b> x8</p>  <p>Ø6,4x50 mm</p>	<p><b>G</b> x15</p> 	<p><b>GL</b> x1</p> 
<p><b>KL</b> x1</p> 	<p><b>M</b> x2</p> 	<p><b>W2</b> x8</p>  <p>Ø3,5x16mm</p>	<p><b>Y2</b> x8</p> 
<p><b>Zc</b> x4</p>  <p>Zc-1                      Zc-2</p>			

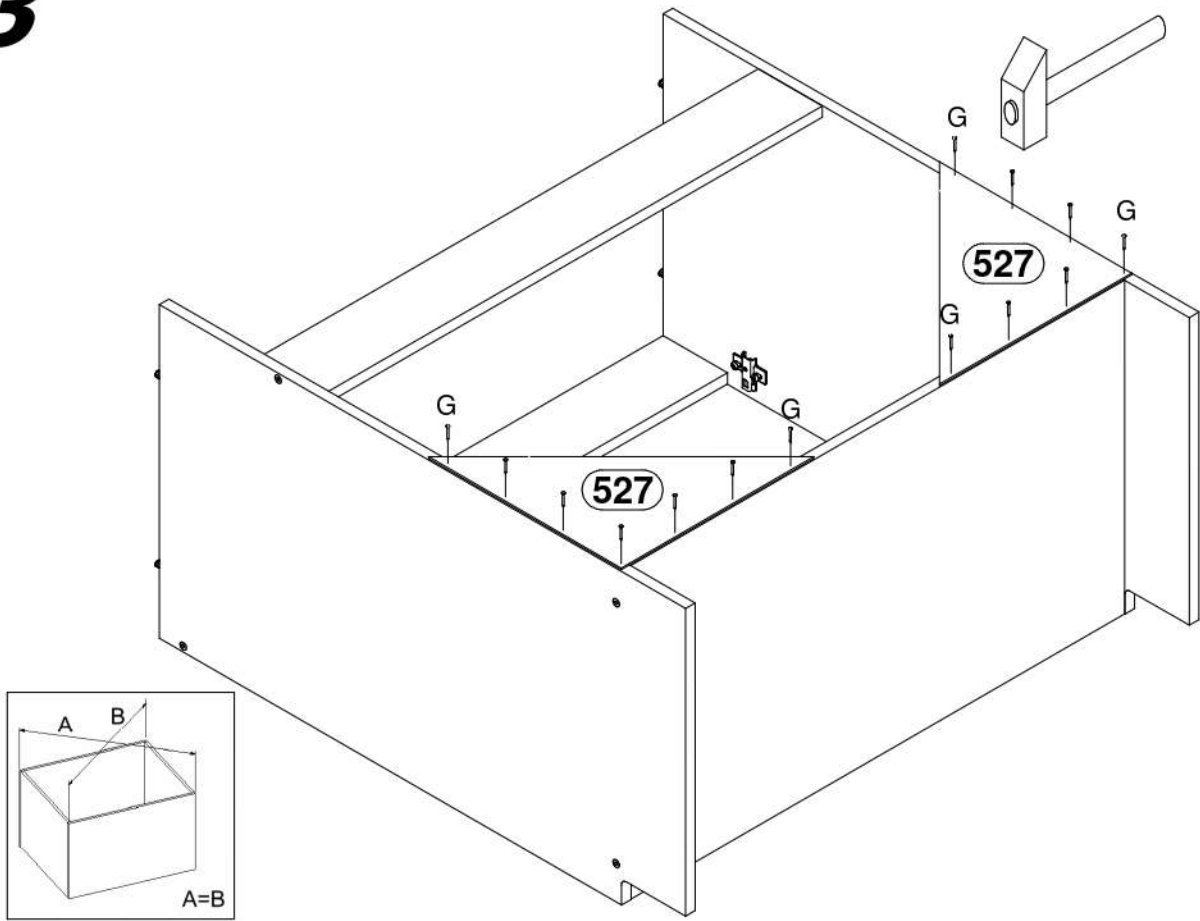
# 1



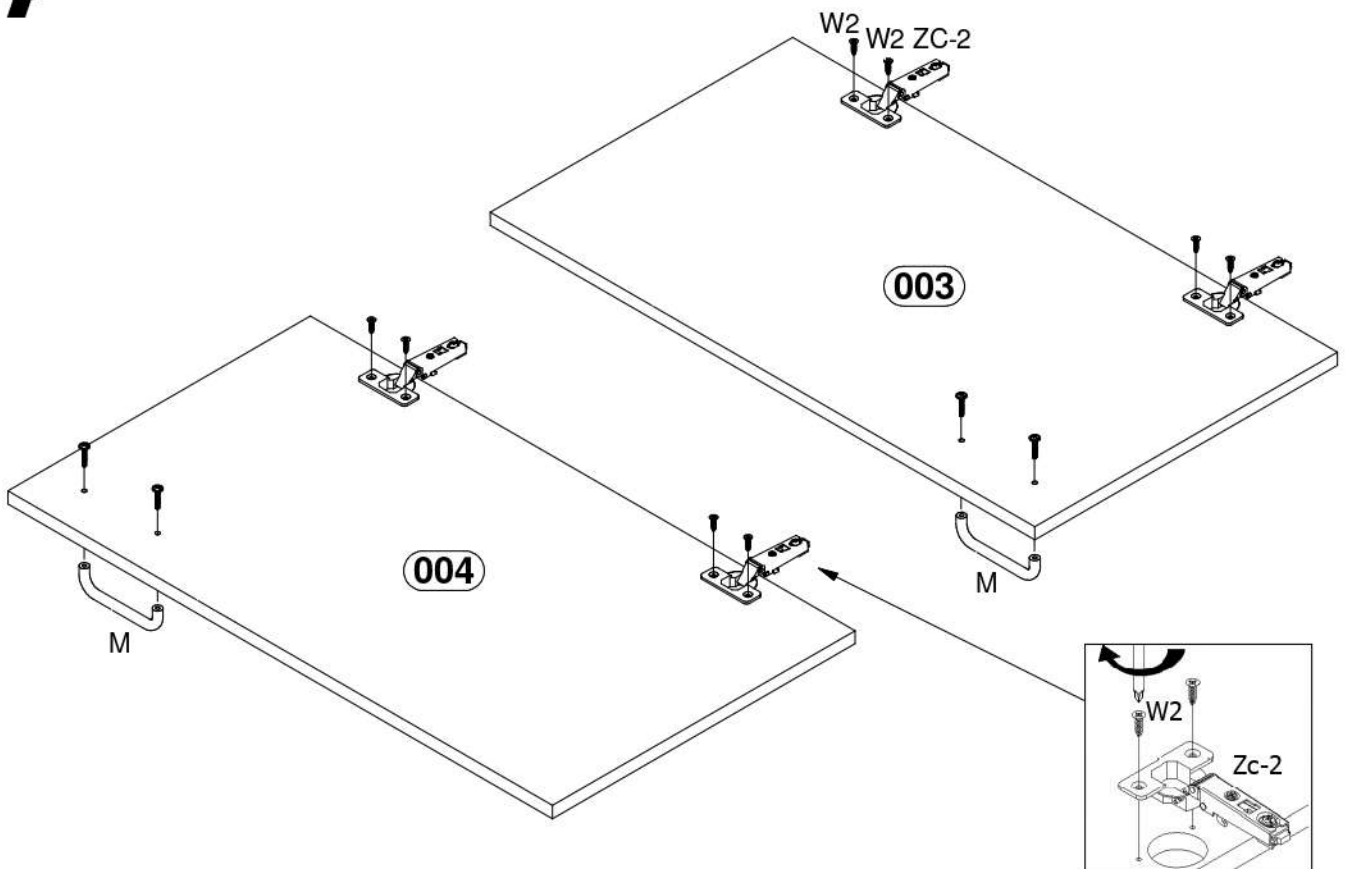
# 2



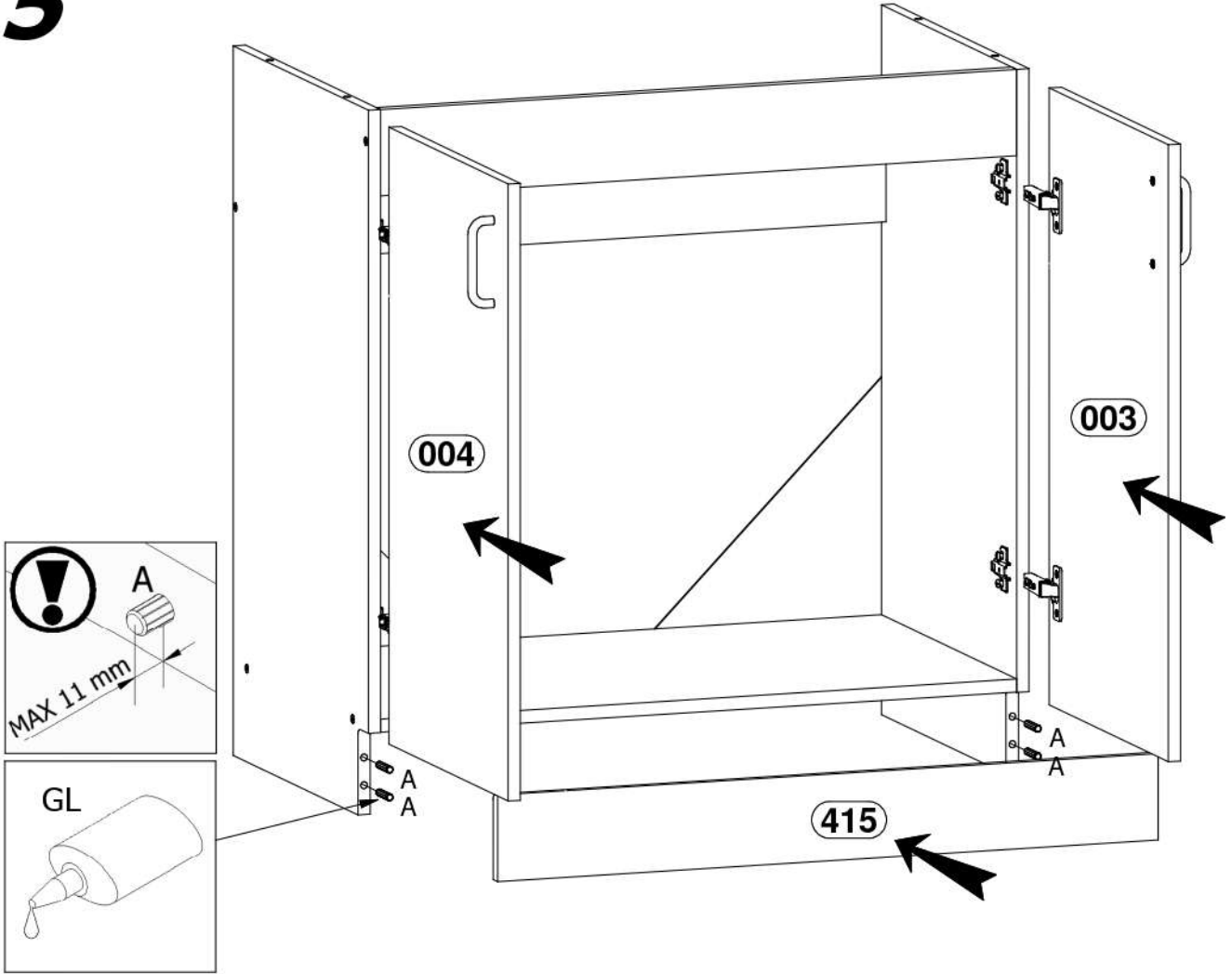
# 3



# 4



# 5



# 6

